

Engine Monitoring & Shutdown System

INTERMOTIVE
VEHICLE
CONTROLS

An ISO 9001:2008 Registered Company

Engine Monitoring & Shutdown System

Automated Powertrain Protection

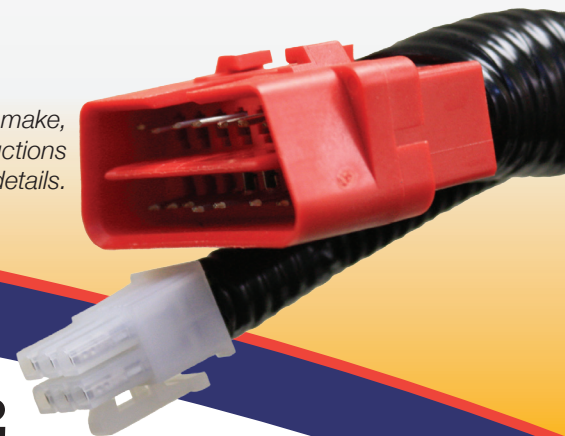
Overview

- Monitors specific powertrain conditions and initiates a warning and engine shutdown sequence if parameters are exceeded
- Once the vehicle is stopped, the ignition power and fuel pump are automatically disabled to prevent engine and transmission damage
- Reduces catastrophic powertrain failures, which could lead to expensive repairs
- Simple plug and play connections for CAN data

Features

- The system will not shut the engine off if the vehicle is in motion
- DUAL ALERTS: Audible and visual warnings with a dash-mounted LED panel
- Designed to work in conjunction with a fire suppression system
- HISTORICAL EVENT TRACKING: The system records the shutdown event and activation trigger, up to 10 events

Product features may vary by make, model or year. See instructions for complete details.



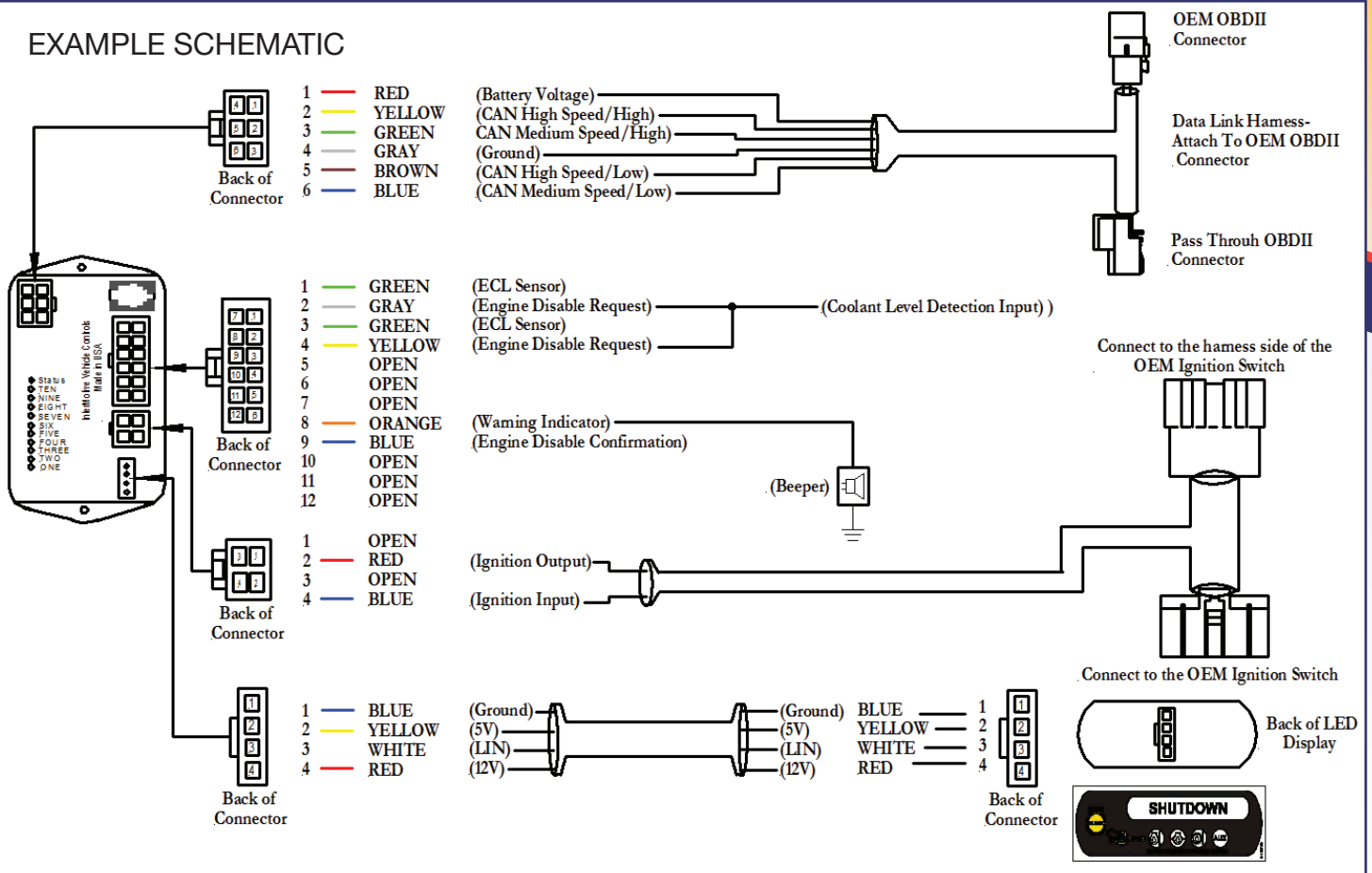
Proudly distributed by

LGS GROUP
AUTOMOTIVE TECHNOLOGIES

(775) 831-2002

Details

EXAMPLE SCHEMATIC



SPECIFICATIONS

Number of Inputs	Two engine disable request inputs (12V and ground) and one analog engine coolant level input
Number of Outputs	One engine disable confirmation (12V) and one warning indicator (12V)
Current Draw	60-120 mA
Quiescent Draw	~ 2 mA (sleep current)
CAN Speed	High and medium speed
Temperature Range	-40°C to 80°C
Dimensions	4" L x 2" W x 1" H