

**IdleGuard**

**INTERMOTIVE**  
**VEHICLE**  
**CONTROLS**

An ISO 9001:2015 Registered Company

# IdleGuard™

with AutoSense Technology™

Automatically Enables/Disables Secure Park

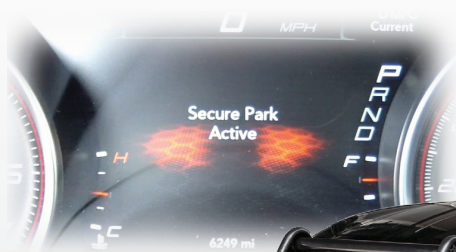
## Overview

- Automatically enables and disables the Dodge Charger Pursuit Secure Park feature (which prevents the transmission from shifting out of Park while idling) based on the key fob's proximity to the vehicle
- Simple plug and play connections
- Installs in minutes; no cutting of factory wires

## Features

- IdleGuard™ with AutoSense Technology™ activates Secure Park through the removal of the key fob from the vehicle; deactivates when the fob returns to the vehicle
- Provides vehicle security while eliminating an extra step for the officer to remember and execute
- Designed specifically for the Dodge Charger Pursuit; available for 2016-current model year

*See instructions for complete details.*



Watch  
IdleGuard  
in action

Proudly distributed by

**LGS GROUP**  
AUTOMOTIVE TECHNOLOGIES

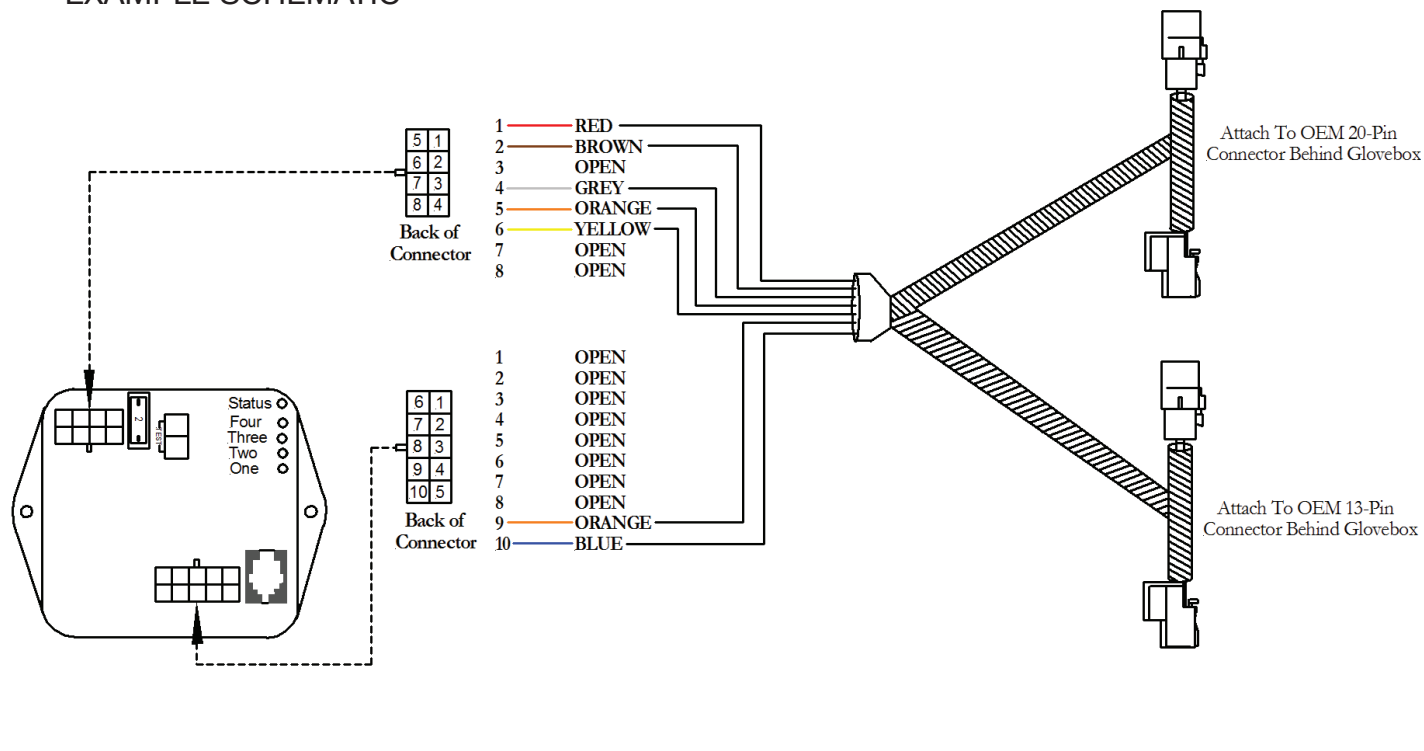
**(775) 831-2002**

# Details



Watch an IdleGuard install

## EXAMPLE SCHEMATIC



## SPECIFICATIONS

Number of Inputs	None
Number of Outputs	One Secure Park output (+12 volt rated at 2 amps)
Current Draw	~ 100 mA
Quiescent Draw	~ 2 mA (sleep current)
CAN Speed	High speed
Temperature Range	-40°C to 80°C
Dimensions	3" L x 2" W x 1" H