

IdleLock

INTERMOTIVE
VEHICLE
CONTROLS

An ISO 9001:2015 Registered Company

IdleLock™

Secure Idling with Key Removed

Overview

- Anti-theft system that allows the vehicle to idle with the key removed from the ignition and the transmission locked in Park
- Activated by pressing an enable switch and removing the key; inserting the key and turning it to run restores normal operation
- Simple plug and play connections
- Easy to install; no cutting of factory wires

Features

- **SAFE:** Walk away from your idling vehicle with confidence that everything is safely locked
- **FULL FUNCTIONALITY:** All lights, equipment and HVAC is still fully functional while engaged
- **SECURE:** The engine shuts off if an unauthorized person tries to shift out of Park without the key in the ignition
- Also provides a shift lock that can be used as an interlock for the rear door, or to secure the trunk or gun rack for police vehicles



Ignition switch "T" harness shown

Product features may vary by make, model or year. See instructions for complete details.

Proudly distributed by

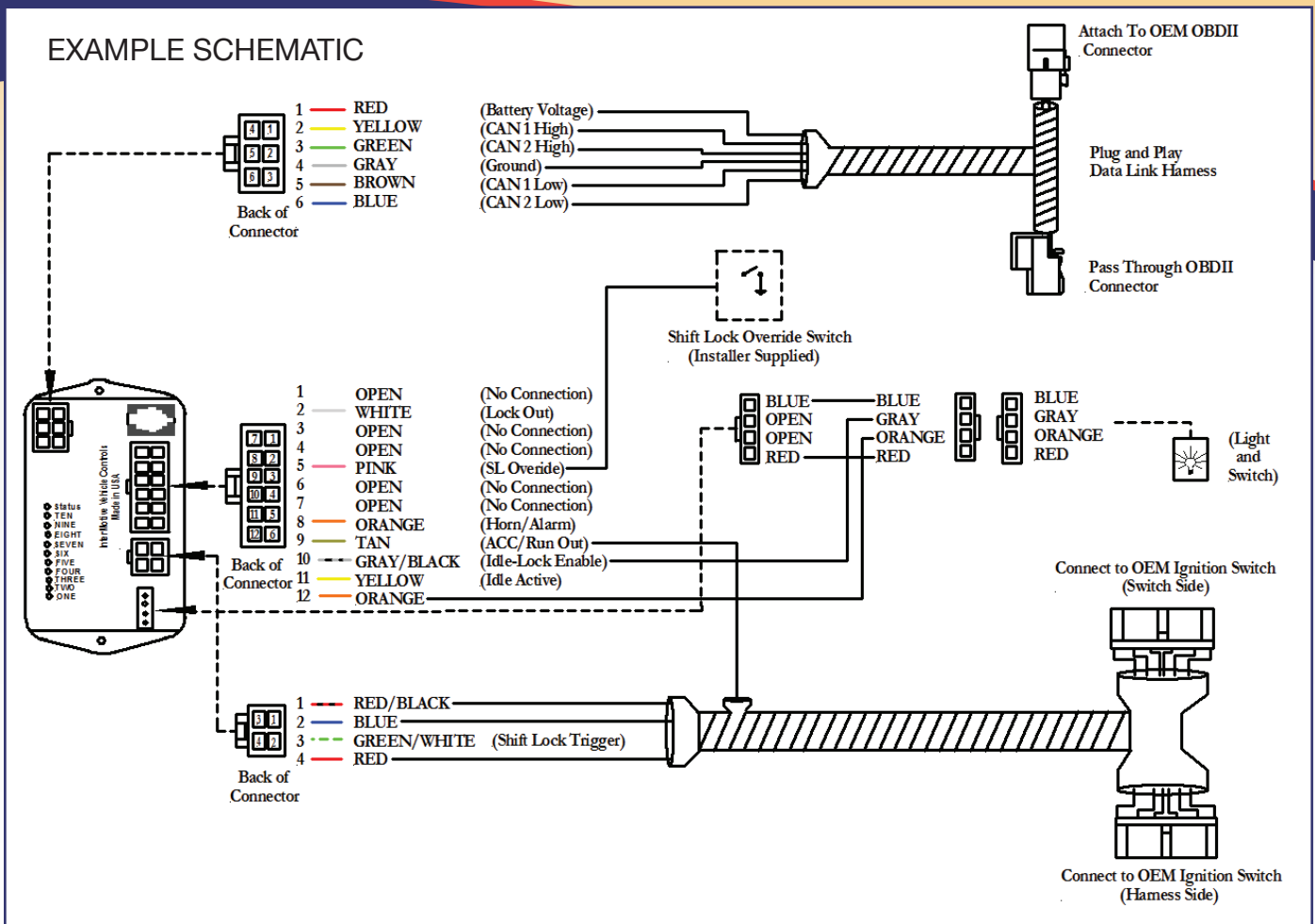
LGS GROUP
AUTOMOTIVE TECHNOLOGIES

(775) 831-2002

Details



Watch
IdleLock
in action



SPECIFICATIONS

Number of Inputs Three active inputs (one high, two low)

Number of Outputs Three active outputs (two high, one low)

Current Draw 120 mA

Quiescent Draw < 2 mA (sleep current)

Temperature Range -40°C to 80°C

Dimensions 3" L x 2" W x 1" H