

Gateway

INTERMOTIVE
VEHICLE
CONTROLS

An ISO 9001:2015 Registered Company

Gateway

High Idle and Shift Interlock System

Overview

- All-in-one wheelchair interlock and high idle system to ensure full functionality of the vehicle's systems while using the lift
- Provides battery charge protection and improves air conditioning performance
- System is fully compliant with FMVSS 403/404 and the Americans with Disabilities Act (ADA) for wheelchair lift interlocks
- Simple plug and play connections to the OEM chassis

Features

- Prevents vehicle movement while the lift is in use by locking the shifter in Park
- Monitors OEM sensor inputs from the transmission, engine, charging system and ambient air temperature
- Programmable RPM for high idle
- Prevents driving with the park brake set
- Can provide real-time chassis data
- Diagnostic trouble codes available
- Uses Intermittent Fault Filter™ (IFF) technology to eliminate erroneous lift door signals

Product features may vary by make, model or year. See instructions for complete details.

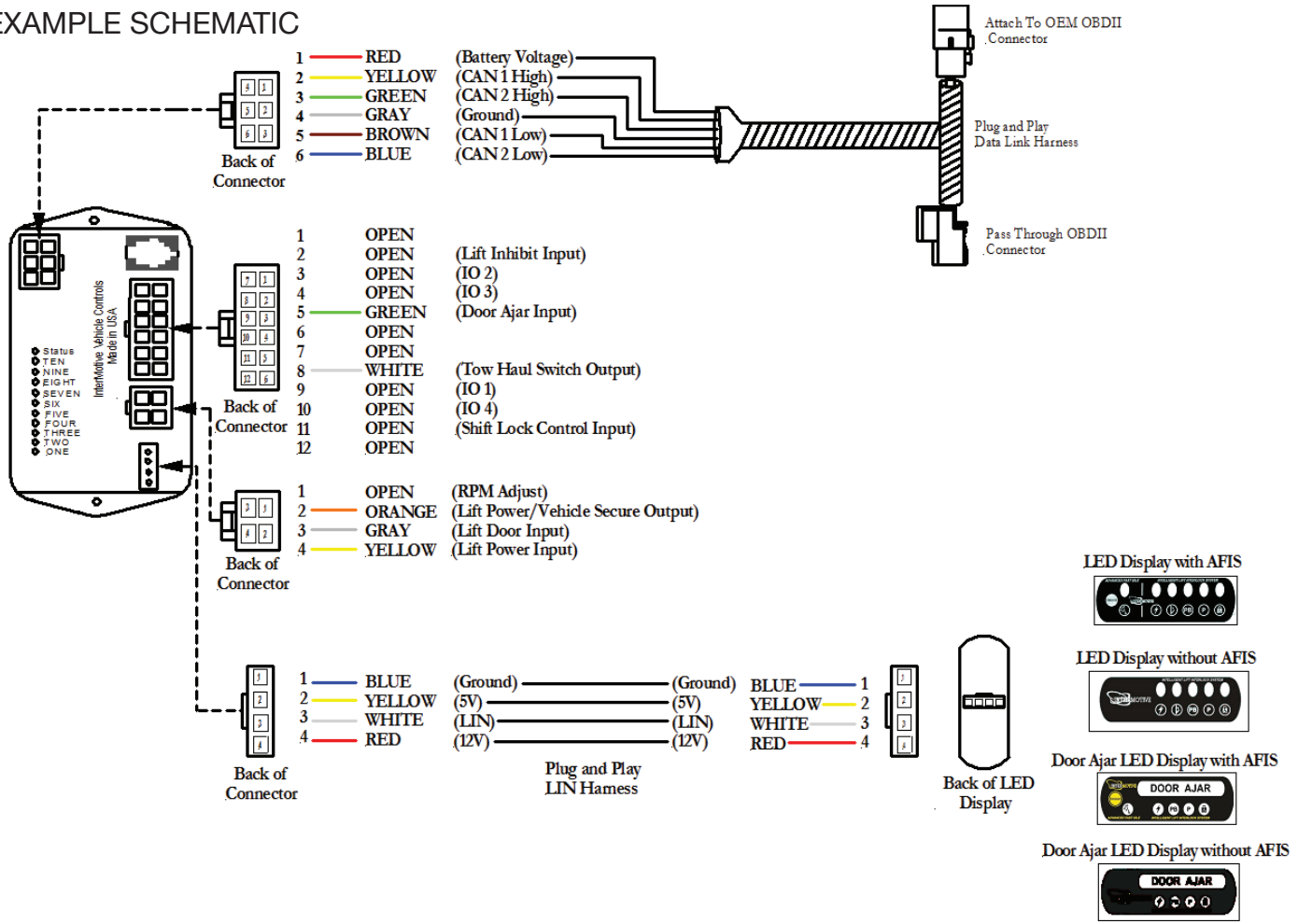
Proudly distributed by

LGS GROUP
AUTOMOTIVE TECHNOLOGIES

(775) 831-2002

Details

EXAMPLE SCHEMATIC



SPECIFICATIONS

Number of Inputs	Five inputs (lift inhibit, door ajar, shift lock, lift door and RPM adjust)
Number of Outputs	Four configurable outputs, plus one lift power/vehicle secure output and one tow haul switch output
Current Draw	~120 mA
Quiescent Draw	~2 mA (sleep current)
CAN Speed	High and medium speed
Temperature Range	-40°C to 80°C
Dimensions	4" L x 2" W x 1" H