

**Intelligent Switch  
Module**

**INTERMOTIVE**  
**VEHICLE  
CONTROLS**

*An ISO 9001:2015 Registered Company*

# Intelligent Switch Module

Configurable Steering Wheel Buttons

## Overview

- Allows for custom programming of the AUX or radio buttons on the steering wheel
- Increases the functionality of the vehicle
- Simple plug and play connections

## Features

- Configurable for multiple functions as latching, momentary, radio or timed
- Can be used to activate lights, sirens, spotlights and push-to-talk radio
- Also activates installed features such as Surveillance Mode, Blackout Mode and other InterMotive products
- Includes Intermittent Fault Filter™ (IFF) technology to eliminate false readings

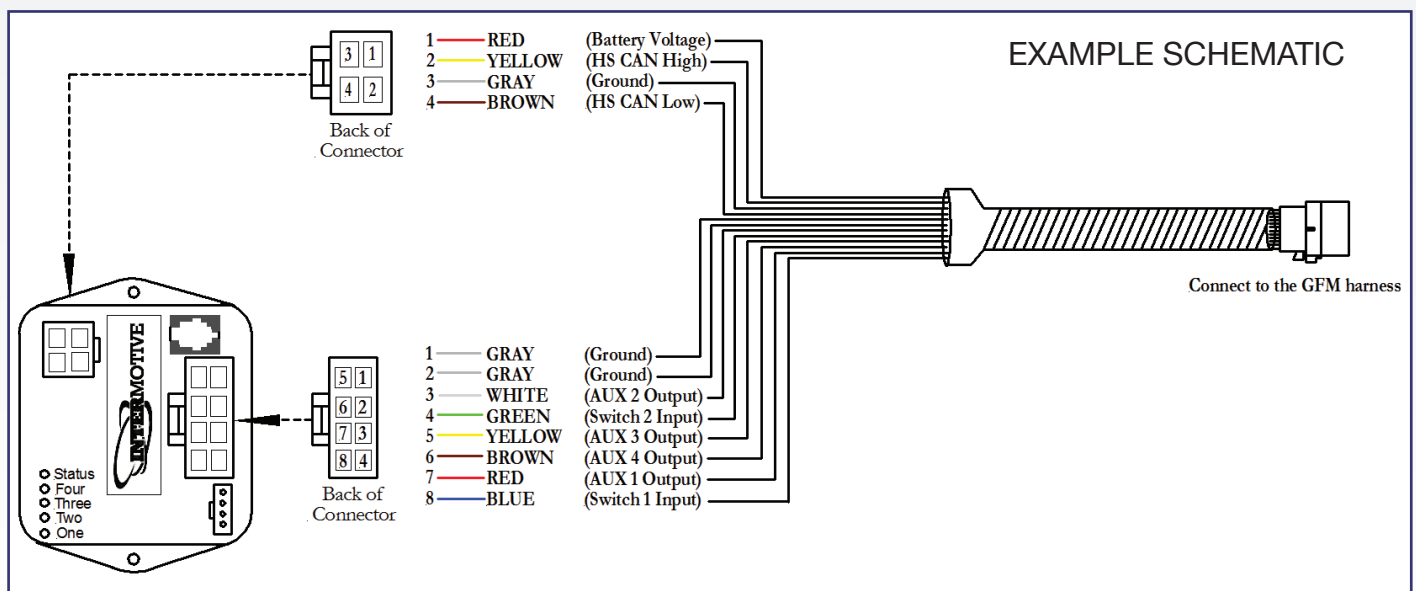
*Product features may vary by make,  
model or year. See instructions  
for complete details.*

Proudly distributed by

**LGS GROUP**  
AUTOMOTIVE TECHNOLOGIES

**(775) 831-2002**

# Details



## SPECIFICATIONS

Number of Outputs      Four outputs (two power or ground and two ground)

Current Draw            ~60 mA

Quiescent Draw        ~15 mA (sleep current)

CAN Speed              High speed

Temperature Range    -40°C to 80°C

Dimensions             3" L x 2" W x 1" H