

**Park Crank Only
Module**

INTERMOTIVE
**VEHICLE
CONTROLS**

An ISO 9001:2015 Registered Company

Park Crank Only Module

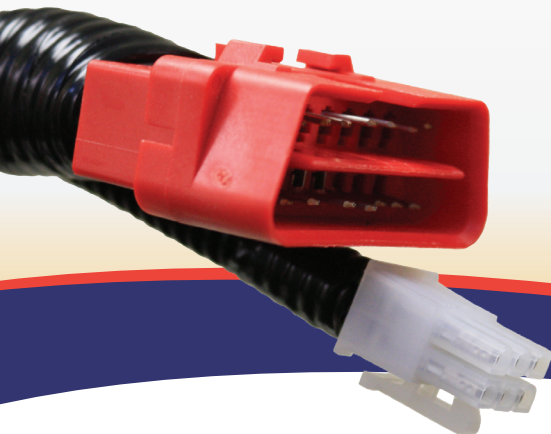
Prevents Engine Start-up in Unsafe Gears

Overview

- Ensures the engine will only start when the transmission is in Park
- Inexpensive safety enhancement, required by some states
- Compact unit is easy to install

Features

- Prevents engine start-up in any other gear to avoid unintended vehicle movement
- Detects transmission gear without any additional switches or sensors
- Works in conjunction with InterMotive's Intelligent Lift Interlock System™ to prevent vehicle movement while lift/ramp is in use
- Includes Intermittent Fault Filter™ (IFF) technology to eliminate false readings



*Product features may vary by make,
model or year. See instructions
for complete details.*

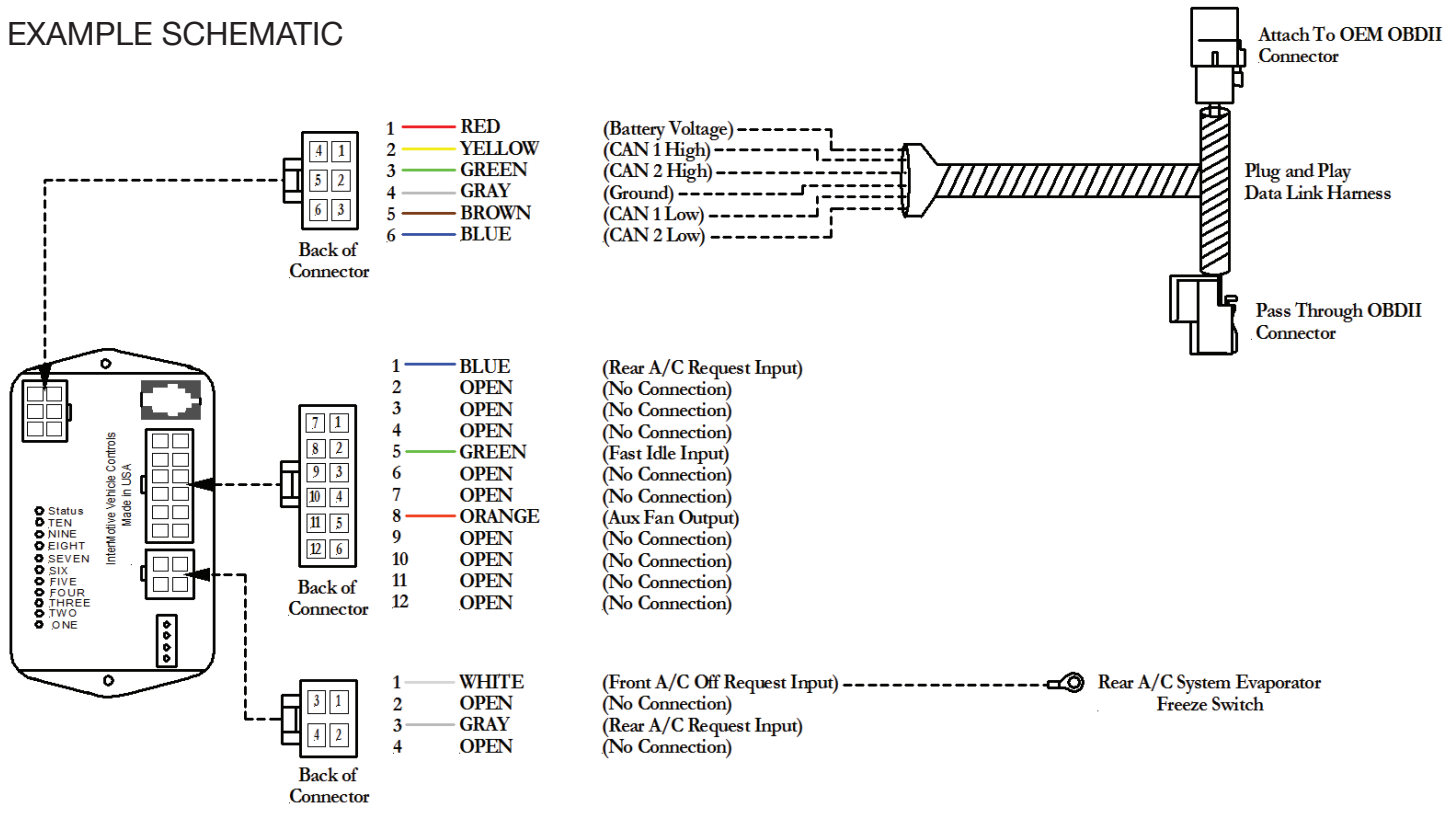
Proudly distributed by

LGS GROUP
AUTOMOTIVE TECHNOLOGIES

(775) 831-2002

Details

EXAMPLE SCHEMATIC



SPECIFICATIONS

Number of Inputs	Two (engine crank request and transmission Park status)
Number of Outputs	One (engine crank)
Current Draw	200 mA maximum
Quiescent Draw	0 mA (sleep current) when key off
Temperature Range	-40°C to 80°C
Dimensions	4" L x 2" W x 1" H